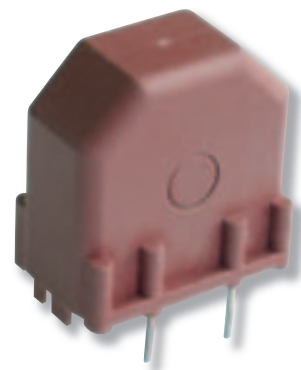


LT SERIES

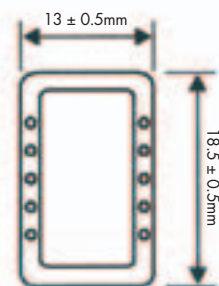
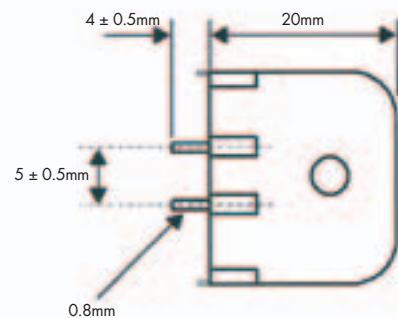
As a small inductor these popular devices offer such versatility that its unique format enables users the ability to take full advantage of low current range and compact size.



Characteristics

Current Ratings	1, 3, 6, 10 and 15 amps
Voltage Range	110/250 VAC Max. 50/60Hz
Current Overload	6 x rated current for 8 secs
High Potential Testing	(1min)
Line to Ground	2250Vdc
Line to Line	1500Vdc
Temperature	-25°C to +40°C

Type	Amp	Inductance
LT001	0.3	2 x 47mH
LT002	0.4	2 x 39mH
LT003	0.5	2 x 15mH
LT004	0.7	2 x 10mH
LT005	1.2	2 x 6.8mH
LT006	1.5	2 x 3.3mH
LT007	2.6	2 x 0.4mH



All dimensions in mm