

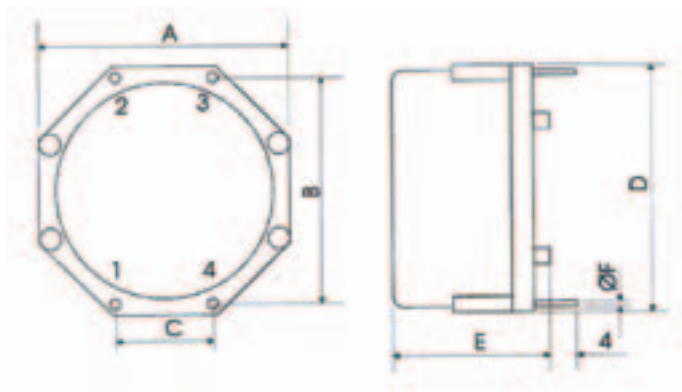
# HM SERIES

These horizontal cased common mode chokes are specifically designed to attenuate main borne RF interference.



## Characteristics

Inductance Range	See tables opposite
Current Range	See tables opposite
Tolerance	+30% to -20%
Operation Temperature	-30°C to +85°C
Test Voltage	1.5KV/50Hz/25°C
Ambient Temperature	≤60°C
Insulation	Class B



Type	A	B	C	D	E	F
HM-1	17	15	10	17.5	12.2	0.6
HM-2	22	20	12.5	23	13	0.8
HM-3	27	25	15	28	16.5	0.8
HM-4	32	30	20	32.5	19.5	0.8
HM-5	42	40	15	43	25	1.2