

# 'SC' SERIES NYLON MOUNTING CLIP FOR TUBULAR CAPACITORS

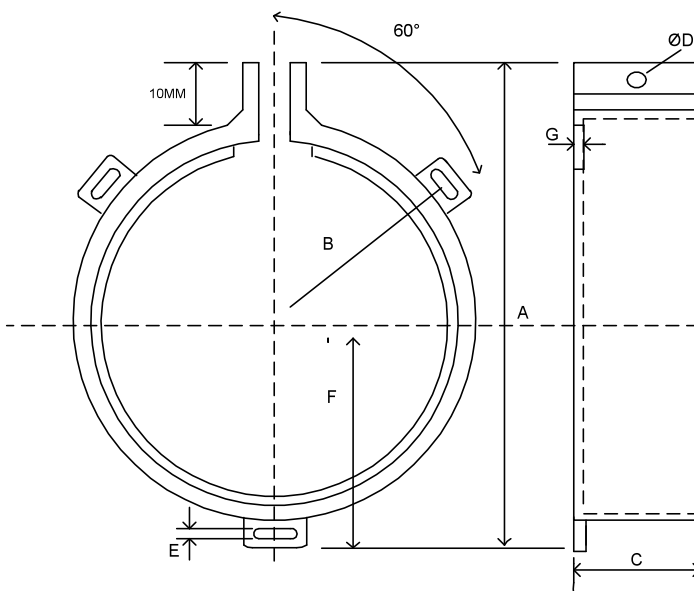


## APPLICATION

'SC' Series for Surface or Central Mounting.

Metal clips can cut through the insulating sleeve and cause problems which cannot occur with an insulating NYLON clip.

The good mechanical properties of NYLON are well known and these clips are particularly suitable where vibration is involved.



| No.           | Can Diameter | A     | B    | C    | D   | E   | F    | G   |
|---------------|--------------|-------|------|------|-----|-----|------|-----|
| EP0885 - PNF3 | 50.0         | 74.0  | 32.0 | 25.0 | 4.0 | 4.7 | 37.0 | 2.5 |
| EP0886 - PNF3 | 63.5         | 87.0  | 38.5 | 25.0 | 4.0 | 4.7 | 43.5 | 2.5 |
| EP0887 - PNF3 | 76.0         | 100.0 | 45.0 | 25.0 | 4.0 | 4.7 | 50.0 | 2.5 |
| EP9002 - PNF3 | 90.0         | 114.0 | 52.0 | 25.0 | 4.0 | 4.7 | 57.0 | 2.5 |

# 'SC' SERIES NYLON MOUNTING CLIP FOR TUBULAR CAPACITORS

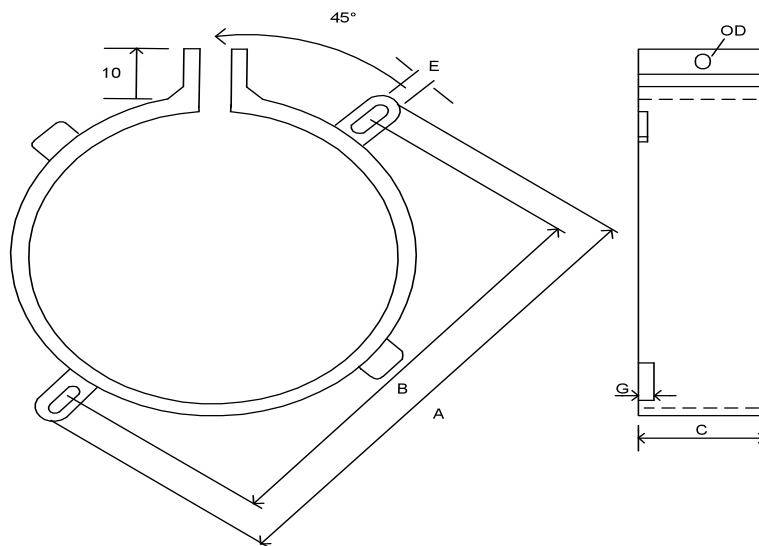


## APPLICATION

'SC' Series for Surface or Central Mounting.

Metal clips can cut through the insulating sleeve and cause problems which cannot occur with an insulating NYLON clip.

The good mechanical properties of NYLON are well known and these clips are particularly suitable where vibration is involved.



| No.          | Can Diameter | A    | B    | C    | D   | E   | G   |
|--------------|--------------|------|------|------|-----|-----|-----|
| EP0881 - PNF | 25.0         | 49.0 | 37.0 | 25.0 | 4.0 | 4.7 | 2.5 |
| EP9001 - PNF | 30.0         | 54.0 | 42.2 | 25.0 | 4.0 | 4.7 | 2.5 |
| EP0882 - PNF | 35.0         | 57.5 | 46.0 | 25.0 | 4.0 | 4.7 | 2.5 |
| EP0880 - PNF | 40.0         | 64.0 | 52.0 | 25.0 | 4.0 | 4.7 | 2.5 |
| EP0884 - PNF | 45.0         | 68.0 | 56.0 | 25.0 | 4.0 | 4.7 | 2.5 |
| EP0885 - PNF | 50.0         | 74.0 | 62.0 | 25.0 | 4.0 | 4.7 | 2.5 |
| EP0886 - PNF | 63.5         | 87.0 | 75.0 | 25.0 | 4.0 | 4.7 | 2.5 |