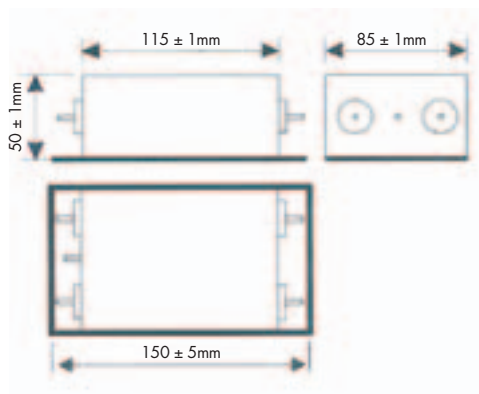


FM020 - FM023



These filters are designed as compact units whilst maintaining quality and performance.

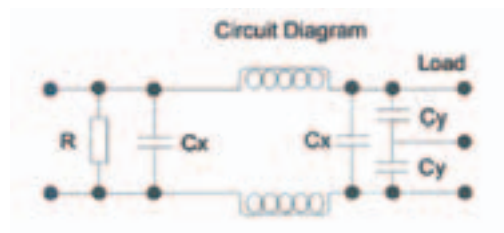
Available in four high current ratings, they may be used in most environments typical of which are power supplies, process control, industrial and computer systems. These filters comply with the requirements of BS613 for permanently earthed equipment and meet all European safety regulations. Should it be necessary to enclose these units in order to limit access to the live terminals, we offer this unit as a fully enclosed filter. Please advise if this is required.



All dimensions in mm

Characteristics

Voltage Rating	240 - 415 VAC 50/60Hz
Temperature Range	-25°C to +85°C
Test Voltage	2700 VDC for 2 seconds
Leakage Current	< 3.5mA
Terminations	M5 M6 x 20mm STUD
Housing	Base plate length 150mm 4 x 5mm fixing holes
Case	18 swg. Mild Steel



Higher current rated filters are available upon request.

Type	Current	Inductance	C 'X'	C 'Y'	Ø
FM020	15A	3.5mH	0.47µF	0.015µF	2M2
FM021	25A	2.0mH	0.47µF	0.015µF	2M2
FM022	35A	1.5mH	0.60µF	0.015µF	2M2
FM023	50A	1.0mH	0.47µF	0.015µF	2M2

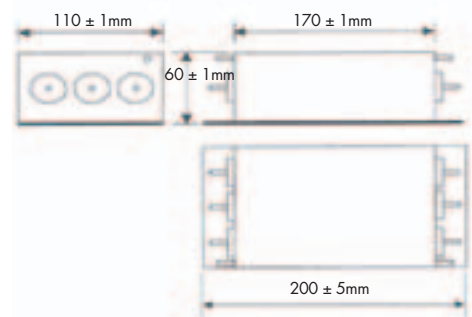
FM025 - FM029

These filters are designed as compact units whilst maintaining quality and performance.

Available in four high current ratings, they may be used in most environments typical of which are power supplies, process control, industrial and computer systems. These filters comply with the requirements of BS613 for permanently earthed equipment and meet all European safety regulations. Should it be necessary to enclose these units in order to limit access to the live terminals, we offer this unit as a fully enclosed filter. Please advise if this is required.



Characteristics	
Voltage Rating	240 - 415V 50/60Hz
Temperature Range	-25°C to +85°C
Test Voltage	2700 VDC for 2 seconds
Leakage Current	<3.5mA
Terminations	10 - 50 amp M6 x 20mm STUD 51 - 75 amp M8 x 20mm STUD
Housing	Base plate length 200mm
Case	18 swg. Mild Steel



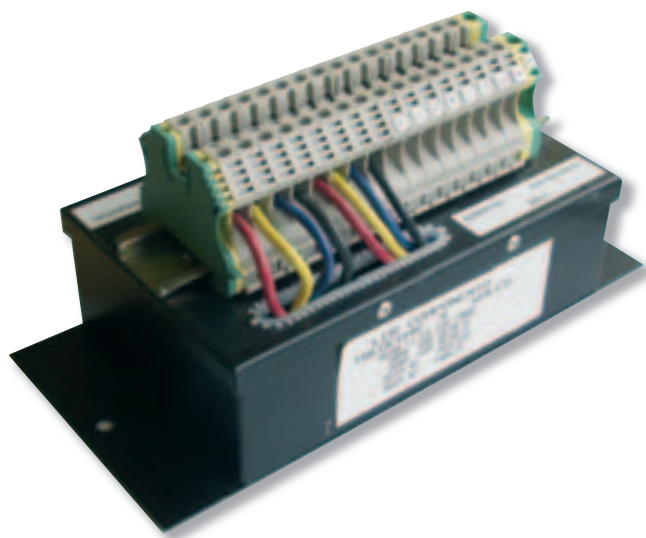
All dimensions in mm



Type	Current	Inductance	C 'X'
FM025	10A	3.0mH	0.47µF
FM026	25A	2.0mH	0.47µF
FM027	35A	1.0mH	0.60µF
FM028	50A	0.5mH	0.47µF
FM029	75A	0.3mH	0.47µF

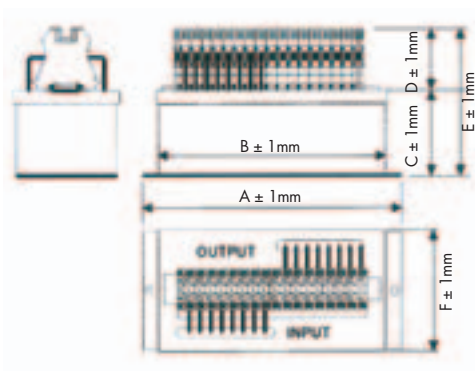
Higher capacitance values can be achieved by connecting capacitors in parallel
higher current rated filters are available upon request.

FM006 - FM007



These filters are designed as compact units whilst maintaining quality and performance.

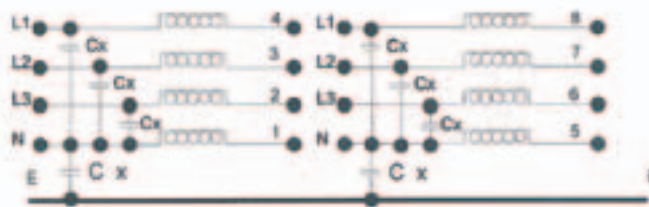
Available in four high current ratings, they may be used in most environments typical of which are power supplies, process control, industrial and computer systems. These filters comply with the requirements of BS613 for permanently earthed equipment and meet all European safety regulations. Should it be necessary to enclose these units in order to limit access to the live terminals, we offer this unit as a fully enclosed filter. Please advise if this is required.



All dimensions in mm

Characteristics

Voltage Rating	240 - 440V 50/60Hz
Temperature Range	-25°C to +85°C
Test Voltage	2700 VDC for 2 seconds
Leakage Current	< 3.5mA
Terminations	Clip on DIN rail connectors
Mounting	Base plate length A
Case	18 swg. Mild Steel



Other capacitor/resistor values, case shapes and terminations are available.

Type	Amp	C 'X' μ F	Induct'	Amp	C 'Y' μ F	Induct'	mm					
							A	B	C	D	E	F
FM006	10	0.47	1mH	25	0.47	0.5mH	240	180	55	45	100	110
FM007	10	0.47	1mH	50	0.47	0.5mH	270	220	100	60	110	150