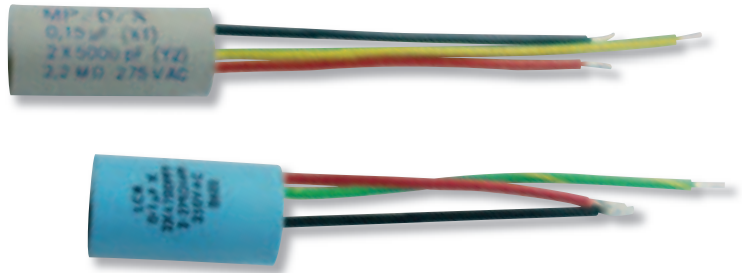


DELTA FILTERS

These small filters are popular devices that can be supplied with a wide range of X and Y values to suit most purposes.

In a Delta Suppressor, capacitors are connected between the Live, Neutral and Earth terminals. As the frequency of the R.F.I. rise, the impedance of these capacitors falls thus attenuating the R.F.I. at the mains terminals.

These filters are constructed using Class X and Y capacitors with a resistor to discharge the device.



Capacitance C_x μ F	Capacitance C_y pF	Dimensions \varnothing x L (mm)
0.022	2 x 2700	11 x 30
0.027	2 x 2700	11 x 30
0.047	2 x 2700	12 x 30
0.047	2 x 4700	14 x 30
0.068	2 x 2700	14 x 35
0.068	2 x 4700	14 x 35
0.1	2 x 2700	14 x 35
0.1	2 x 4700	14 x 35
0.1	2 x 10000	16 x 35
0.1	2 x 15000	16 x 35
0.15	2 x 2700	16 x 35
0.15	2 x 4700	16 x 35
0.15	2 x 10000	18 x 35
0.15	2 x 15000	18 x 35
0.22	2 x 2700	18 x 40
0.22	2 x 4700	18 x 40
0.22	2 x 10000	20 x 40
0.22	2 x 15000	20 x 40
0.22	2 x 22000	22 x 40
0.22	2 x 27000	22 x 40
0.27	2 x 2700	20 x 40
0.27	2 x 4700	22 x 40
0.27	2 x 10000	22 x 40
0.27	2 x 15000	22 x 40
0.27	2 x 22000	22 x 40
0.27	2 x 27000	20 x 50

Characteristics

Rated Voltage	250 VAC
Capacitance Tolerance	$\pm 20\%$
Climatic Category	25/85/21 according to JES N.A5.700 resp. IEC publ. 68 or HPF according to DIN 40040
Temperature Range	-25°C to +85°C
Voltage Test	X capacitor 1625 VDC (2 seconds) Y capacitor 2700 VDC (2 seconds) (1800 VAC, 2 seconds)
Terminals	Stranded wire 0.5mm ² with PVC insulation, or solid wire $\varnothing 0.8$ with PVC insulation. Non-insulated part soldered. Connection terminals provided on request.
Casing	Thermoplastic, sealed with polyurethane resin.



All dimensions in mm

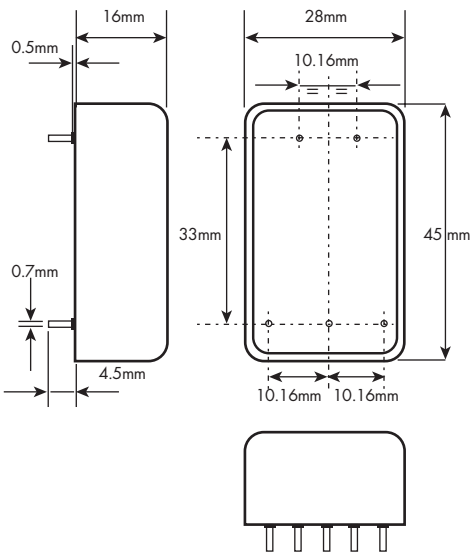
FP023 - 025



The unique format of these small filters has given users the ability to take full advantage of the performance, wide current range and compact size.

Applications as diverse as fruit machines and military equipment are prime examples where both protection and suppression are needed.

The PCB mounted version can accommodate various 'pin-outs'.

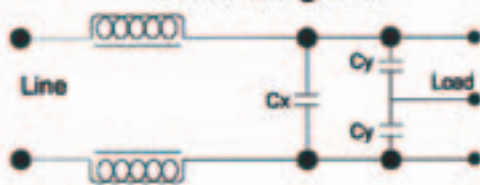


Characteristics

Current Ratings	15-250V
Leakage Current	0.25 mA (MAX)
Temperature	-25°C to +85°C

Part No.	C'X' μ F	C'Y' pF	L mH	Current
FP023	0.1	2500	6	1
FP024	0.1	2500	2	2
FP025	0.1	2500	1	4

Circuit Diagram.



All dimensions in mm

Typical Attenuation (dB)

